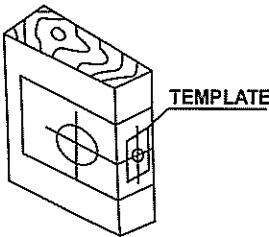
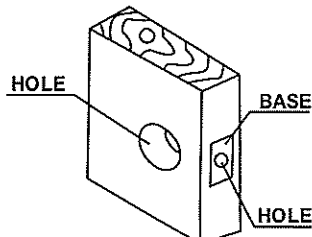
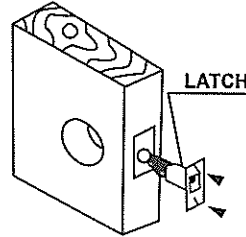
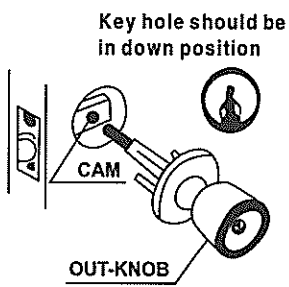
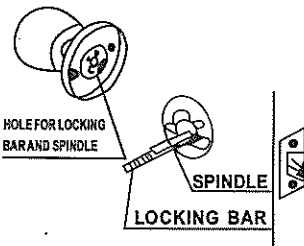
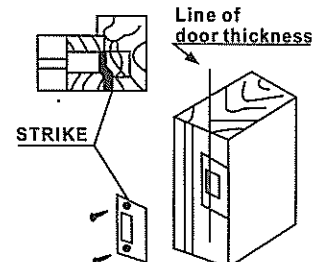
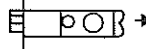
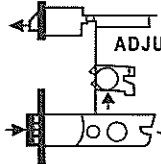


# \*\*\*\*\* HOW TO INSTALL THIS TUBULAR LOCK \*\*\*\*\*

<p><b>① MARK DOOR</b></p>  <p>• Mark site of lock and bore</p>	<p><b>② BORE HOLES</b></p>  <p>• Bore the holes through door • Cut out base</p>	<p><b>③ INSTALL LATCH</b></p>  <p>• When you have two face plates, choose either round or square cornered face plate, snap onto front of latch. Insert latch into door with curved side of bolt facing direction door closes. Fasten with pointed tip screws as picture shown.</p>	<p><b>④ INSTALL OUT-KNOB</b></p>  <p>Key hole should be in down position</p>
<p><b>⑤ INSTALL IN-KNOB</b></p> 	<p><b>⑥ INSTALL STRIKE</b></p>  <p>• When two strikes, choose either round or square cornered strikes to match the door</p>	<p style="text-align: center;"><b>INSTRUCTION FOR ADJUSTABLE LATCH</b></p> <p style="text-align: center;">(Fig-1)</p>  <p style="text-align: right;">Pull the metal sleeve fully to the right for 70mm (2 3/4") backset.</p> <hr/> <p style="text-align: center;">(Fig-2)</p>  <p style="text-align: right;">Push the latch inward, take off the adjust part for 70mm (2 3/4") backset.</p> <p style="text-align: center;">FIRST HOLE</p>	

## Note:

- Adjustable backset latch is factory set at 2-3/8". To adjust for 2-3/4", pull the metal sleeve fully to the right (figure 1). Remove the adjust part as shown (figure 2).

